

# Jeremiah Lighting

## ASSEMBLY & INSTALLATION INSTRUCTIONS FOR #25634CH

Please read carefully and save these instructions, as you may need them at a later date.

### CAUTION

Turn off the main power at the circuit breaker before installing the fixture, in order to prevent possible shock.

### GENERAL

All electrical connections must be in accordance with local and National Electrical Code (N.E.C.) standards. If you are unfamiliar with proper electrical wiring connections obtain the services of a qualified electrician.

Remove the fixture and the mounting package from the box and make sure that no parts are missing by referencing the illustrations on the installation instructions.

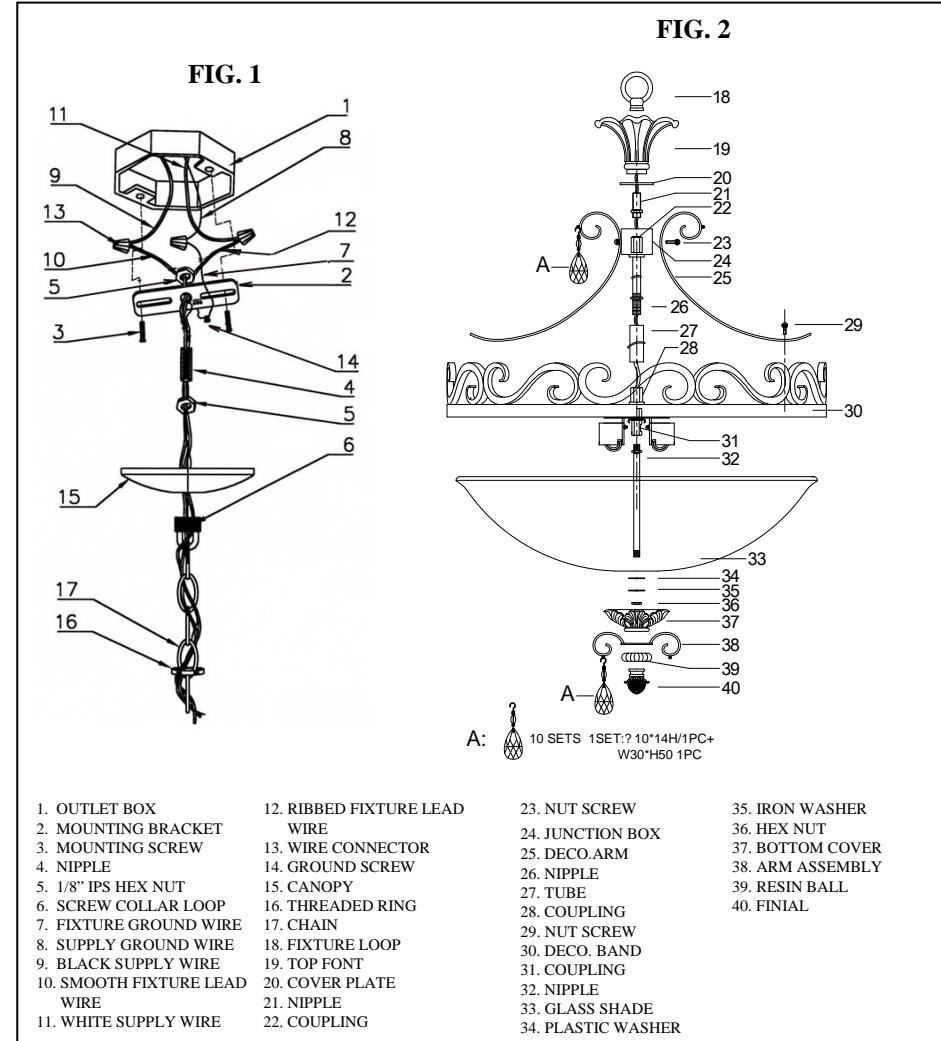
## ASSEMBLY AND INSTALLATION

1. Take the parts out of the mounting package . Screw the end of the NIPPLE (4) into the center hole of the MOUNTING BRACKET (2) and thread both 1/8" IPS HEX NUT(5) several turns onto each end of the NIPPLE(4) but do not tighten the 1/8" IPS HEX NUTS (5). Pull the SUPPLY WIRES (9 & 11) and the SUPPLY GROUND WIRE (8) out from the OUTLET BOX (1) and attach the MOUNTING BRACKET (2) assembly to the OUTLET BOX (1) using the slotted holes of the MOUNTING BRACKET (2) and the MOUNTING SCREWS (3) provided. (See Fig. 1)
2. Thread the SCREW COLLAR LOOP (6) onto the bottom end of the NIPPLE (4). Place the CANOPY (15) over the OUTLET BOX (1) and adjust the SCREW COLLAR LOOP (6) and NIPPLE (4) until the midpoint of the outside threads on the SCREW COLLAR LOOP (6) is centered (aligned) with the surface of the CANOPY (15). Remove the CANOPY (15) and tighten both 1/8" IPS HEX NUTS (5) down on the MOUNTING BRACKET (2) and the SCREW COLLAR LOOP (6). (See Fig. 1)
3. Thread the NIPPLE(26) onto the COUPLING(28) through the TUBE(27) till tight; thread the NIPPLE(21) onto the COUPLING(22), secure with hex nut. Slide the COVER PLATE(20), and the TOP FONT(19) over the NIPPLE(21), thread the FIXTURE LOOP(18) onto the NIPPLE(21) till tight. Attach the DECO. ARM(25) to the JUNCTION BOX(24) and the DECO. BAND(30), fix it with the NUT SCREW(23) and the NUT SCREW(29). (See Fig. 2)
4. Open up the end links of the CHAIN (17) and attach one end of the CHAIN (17) onto the FIXTURE LOOP (18). Slide the THREADED RING (16) and the CANOPY (15) onto the CHAIN (17) (in that order) and attach the other end of the CHAIN (17) to the SCREW COLLAR LOOP (6). Close the ends of the chain links. (See Fig. 1 and 2)
5. Unravel the fixture lead wires(10 and 12) and FIXTURE GROUND WIRE (7) and thread them through every other link of the CHAIN (17) starting with the chain link attached to the FIXTURE LOOP (18). Feed the fixture lead wires(10 and 12) and FIXTURE GROUND WIRE (7) through the SCREW COLLAR LOOP (6) and NIPPLE (4) assembly. Pull the fixture lead wire(10 and 12) and the FIXTURE GROUND WIRE (7) upward to remove any excess slack. (See Fig. 1)
6. Attach the power supply wires to the fixture lead wires by connecting the BLACK SUPPLY WIRE (9) to the SMOOTH FIXTURE LEAD WIRE (10) and the WHITE SUPPLY WIRE (11) to the RIBBED FIXTURE LEAD WIRE (12). Loop the FIXTURE GROUND WIRE (7) around the GROUND SCREW (14) of the MOUNTING BRACKET (2). (Note: Be sure to provide an extra 3" length of the GROUND WIRE(7).) Connect the remaining FIXTURE GROUND WIRE (7) to the SUPPLY GROUND WIRE (8) using a WIRE CONNECTOR (13). Place wiring and connections inside the OUTLET BOX (1). (See Fig. 1)

## ASSEMBLY AND INSTALLATION (Continued)

7. Slide the CANOPY (15) and the THREADED RING(16) up the CHAIN(17). Place the CANOPY (15) over the OUTLET BOX (1) and secure it in place by screwing the THREADED RING (16) onto the SCREW COLLAR LOOP (6).(See Fig.1)
8. Screw light bulbs into the lamp sockets and make sure they do not exceed the maximum wattage specified on the fixture's wattage rating label, **MAXIMUM 100W.**
9. Thread the NIPPLE(32) onto the COUPLING(31), secure with the hex nut. Slide the GLASS SHADE(33), the PLASTIC WASHER(34) and the IRON WASHER(35) over the NIPPLE(32), thread with the HEX NUT(36). Slide the BOTTOM COVER(37), the ARM ASSEMBLY(38), and the RESIN BALL(39) over the NIPPLE (32), fix them with the FINIAL(40). Hang the CRYSTAL DRIP(A) to the fixture.

## INSTALLATION IS NOW COMPLETED



# Jeremiah Lighting

## ASSEMBLY & INSTALLATION INSTRUCTIONS FOR #25634SF

Please read carefully and save these instructions, as you may need them at a later date.

### CAUTION

Turn off the main power at the circuit breaker before installing the fixture, in order to prevent possible shock.

### GENERAL

All electrical connections must be in accordance with local and National Electrical Code (N.E.C.) standards. If you are unfamiliar with proper electrical wiring connections obtain the services of a qualified electrician.

Remove the fixture and the mounting package from the box and make sure that no parts are missing by referencing the illustrations on the installation instructions.

### ASSEMBLY AND INSTALLATION

- At the center of the BACK PLATE(2) there are eight perforated slots. Knock out the set matches your OUTLET BOX (1).
- Screw the FIXTURE MOUNTING SCREWS (13) into the BACK PLATE (2) and thread the HEX NUTS (14) onto the FIXTURE MOUNTING SCREWS (13), as shown. Secure the position of the FIXTURE MOUNTING SCREWS (13) by tightening the HEX NUTS (14) against the BACK PLATE (2).
- Carefully pass the power supply (6&8) wires and the SUPPLY GROUND WIRE (5) through the center hole of the BACK PLATE (2). Secure the BACK PLATE (2) to the OUTLET BOX (1) with MOUNTING SCREWS (3).
- Attach the BLACK SUPPLY WIRE (8) to the SMOOTH (or BLACK) FIXTURE LEAD WIRE (9) by using the WIRE CONNECTOR (10). At the same manner, attach the WHITE SUPPLY WIRE (6) to the RIBBED (or WHITE) FIXTURE LEAD WIRE (7). Loop the FIXTURE GROUND WIRE (4) around the GROUND SCREW (11) of the BACK PLATE (2). (Note: Be sure to provide an extra 3" length of the FIXTURE GROUND WIRE (4) for connection to the SUPPLY GROUND WIRE (5).) Tighten the GROUND SCREW (11). Connect the remaining FIXTURE GROUND WIRE (4) to the SUPPLY GROUND WIRE (5) using a WIRE CONNECTOR (10). Place wiring and connections inside the OUTLET BOX (1).
- Thread the NIPPLE(25) onto the COUPLING(27) through the TUBE(26), till tight. Thread the NIPPLE(20) onto the COUPLING(21), secure with hex nut. Slide the COVER PLATE(19), the TOP FONT(18), the COVER PLATE(12), and the IRON WASHER(17) over the NIPPLE(20), thread the WING NUT(16) onto the NIPPLE(20) till tight. Attach the DECO. ARM(24) to the JUNCTION BOX(23) and DCO. BAND(29), fix with the NUT SCREW(21) and the DECO.BAND(29). See Fig. 2.
- Place the COVER PLATE (12) onto the FIXTURE MOUNTING SCREWS (13), and secure it into place using the DECORATIVE NUTS(15) provided.
- Screw light bulbs into the lamp sockets and make sure they do not exceed the maximum wattage specified on the fixture's wattage rating label, **MAXIMUM 100W**.
- Thread the NIPPLE(31) onto the COUPLING(30), secure with the hex nut. Slide the GLASS SHADE(32), the PLASTIC WASHER(33) and the IRON WASHER(34) over the NIPPLE(31), secure with the HEX NUT(35). Slide the BOTTOM COVER(36), the ARM ASSEMBLY(37), and the RESIN BALL(38) over the NIPPLE (31), fix them with the FINIAL(39). Hang the CRYSTAL DRIP(A) to the fixture.

FIG. 1

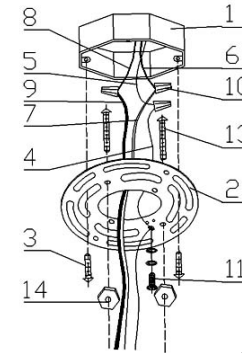
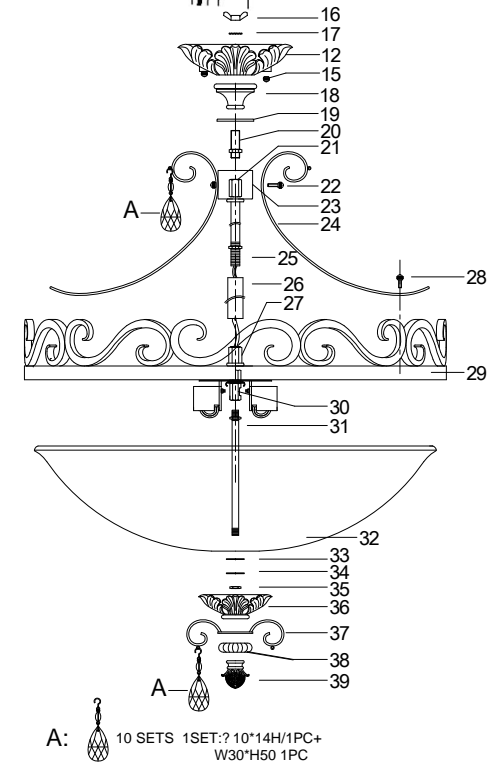


FIG. 2



A: 10 SETS 1SET: ? 10\*14H/1PC+  
W30\*H50 1PC

- |  |                            |                    |                  |
|--|----------------------------|--------------------|------------------|
| 1. OUTLET BOX                          | 11. GROUND SCREW           | 22. NUT SCREW      | 34. IRON WASHER  |
| 2. BACK PLATE                          | 12. COVER PLATE            | 23. JUNCTION BOX   | 35. HEX NUT      |
| 3. MOUNTING SCREW                      | 13. FIXTURE MOUNTING SCREW | 24. DECO.ARM       | 36. BOTTOM COVER |
| 4. FIXTURE GROUND WIRE                 | 14. HEX NUT                | 25. NIPPLE         | 37. ARM ASSEMBLY |
| 5. SUPPLY GROUND WIRE                  | 15. DECORATIVE NUT         | 26. TUBE           | 38. RESIN BALL   |
| 6. WHITE SUPPLY WIRE                   | 16. WING NUT               | 27. COUPLING       | 39. FINIAL       |
| 7. RIBBED (OR WHITE) FIXTURE LEAD WIRE | 17. IRON WASHER            | 28. NUT SCREW      |                  |
| 8. BLACK SUPPLY WIRE                   | 18. TOP FONT               | 29. DECO. BAND     |                  |
| 9. SMOOTH (OR BLACK) FIXTURE LEAD WIRE | 19. COVER PLATE            | 30. COUPLING       |                  |
| 10. WIRE CONNECTOR                     | 20. NIPPLE                 | 31. NIPPLE         |                  |
|  | 21. COUPLING               | 32. GLASS SHADE    |                  |
|  |                            | 33. PLASTIC WASHER |                  |