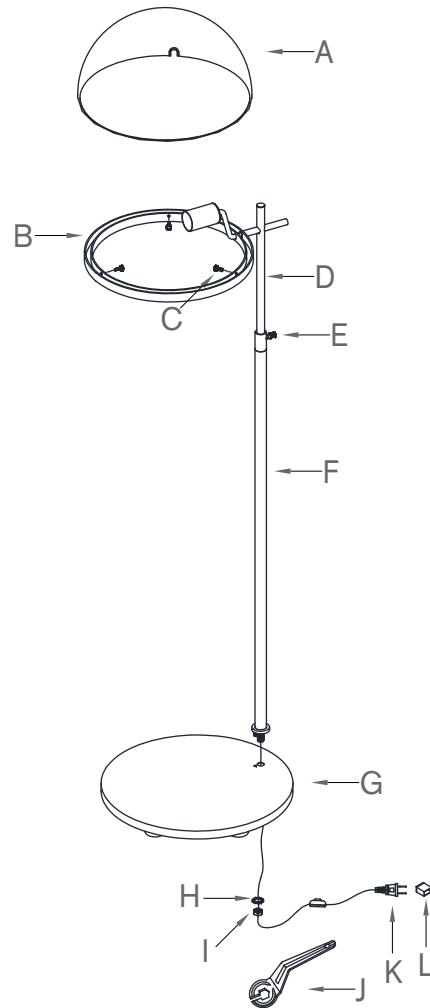


ASSEMBLY INSTRUCTIONS



Dulcet Medium Pharmacy Floor Lamp Item # KW1240

INSPECT ITEM CAREFULLY BEFORE ATTEMPTING TO INSTALL. IF THERE IS ANY DAMAGE OR OBVIOUS DEFECT, DO NOT INSTALL.

ITEM MAY NOT BE RETURNED ONCE IT HAS BEEN INSTALLED.

1. Carefully remove all parts from the carton.
2. Remove white plastic bushing inside of center hole on base (G) before assembling.
3. Join lamp pole (F) and lamp base (G) together, letting bottom nipple of the lamp pole (F) pass through the hole on lamp base (G).
4. From the underside of base (G), slide the washer (H) over the threaded nipple and then thread nut (I) onto the nipple. Use the wrench (J) to tighten the nut.
5. Remove set screws (C), place lamp shade (A) onto the metal ring (B) and secure by tighten set screws (C).
6. Insert light bulb into socket.
7. Remove plastic cover (L) from electrical plug (K).
8. Plug lamp into wall outlet.

TO ADJUST:

1. Loosen knob (E) by turning clockwise direction.
2. Adjust lamp height by pulling or pushing pole (D) up or down to get desired height.
3. Tighten knob (E) by turning counter-clockwise direction.

***Clean with a dry, soft cloth only. Use no harsh abrasives or chemical agents.